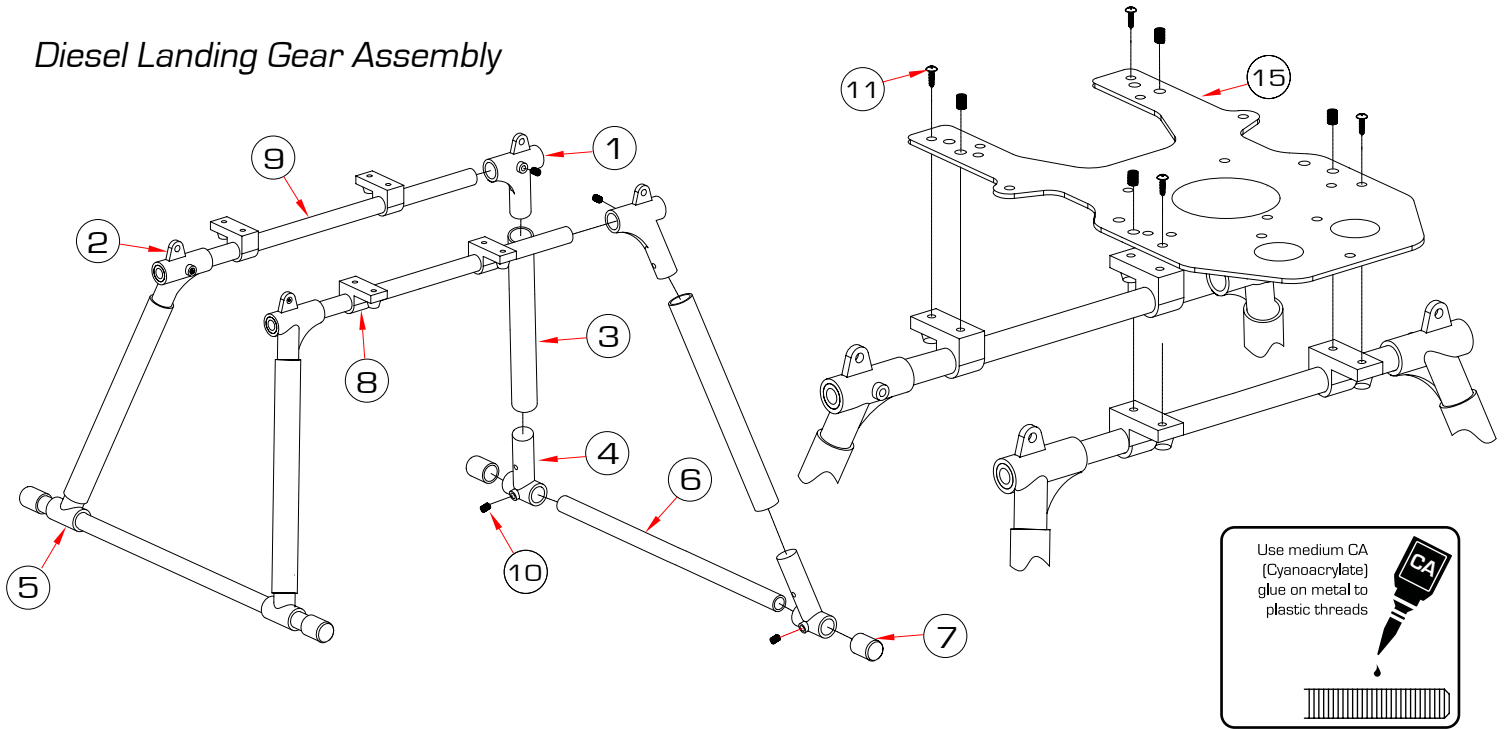
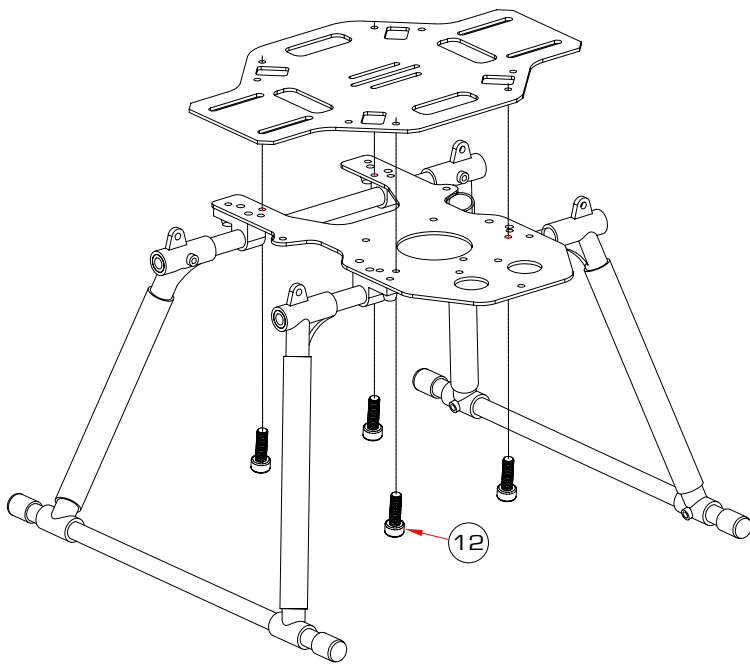


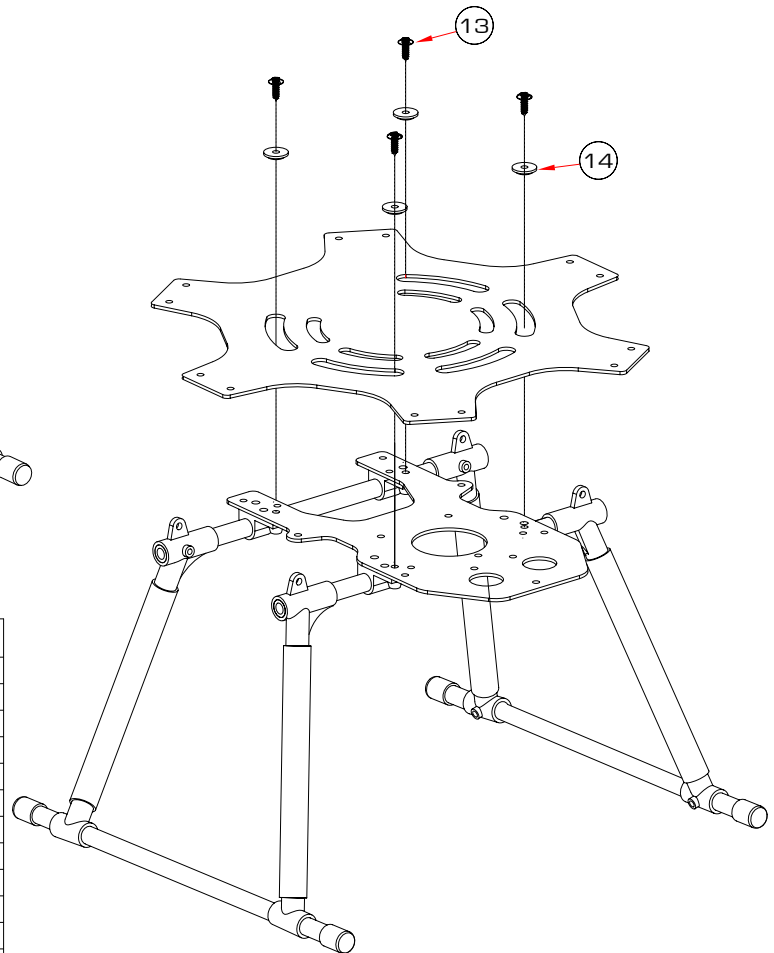
Diesel Landing Gear Assembly



Mounting to DJI Flame Wheel 450

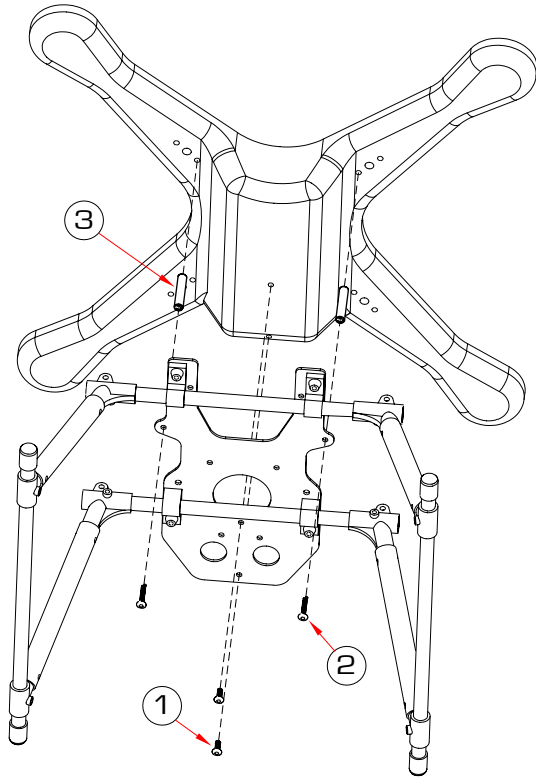


Mounting to DJI Flame Wheel 550

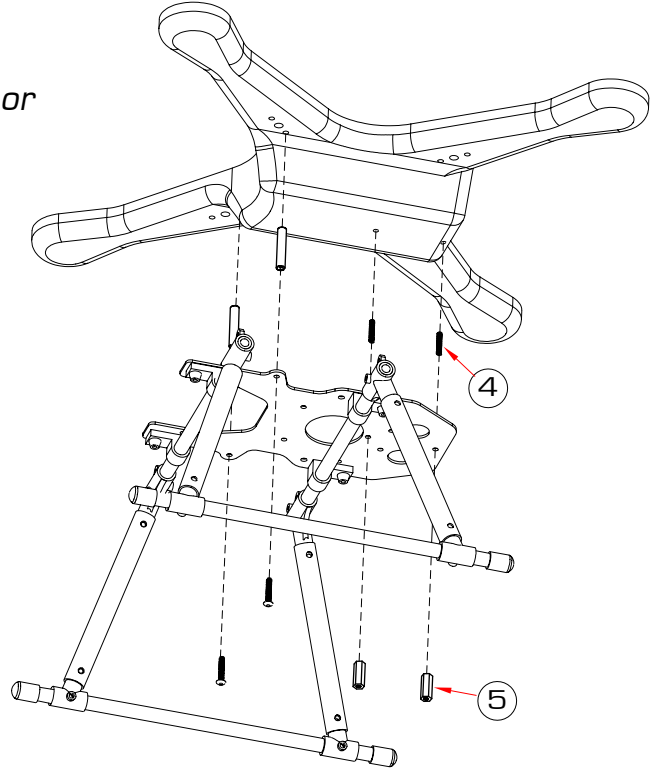


No.	Part #	Description	Qty
1	CNMR6015	Upper Right T-Joint(右上腳架)	2
2	CNMR6015	Upper Left T-Joint(左上腳架)	2
3	HWC20365	10x11x110mm Carbon Fiber Tube(碳纖維管)	4
4	CNMR6015	Lower Right T-Joint(右下腳架)	2
5	CNMR6015	Lower Left T-Joint(左下腳架)	2
6	HWC20363	8x220mm Aluminum Tube(鋁管)	2
7	HWC20363	Tube Plug Red(腳架管塞)	4
8	HWC20362	Cross Boom Mount(腳架固定座)	4
9	HWC20364	8x180mm Carbon Fiber Cross Boom(碳纖維管)	2
10	CNM3x4SS	M3x4 Set Cap Screw	12
11	CNM3x12ST	M3x12 Self Tapping Screws(尖尾自攻螺絲)	4
12	DJM2P5X5CS	M2.5x5 Cap Screws (DJI Screws)	4
13	CNM3x12ST	M3x12 Self Tapping Screws(尖尾自攻螺絲)	4
14	HWC20361	3x10.5x2 Sets Of Aluminum Spacer	4
15	HWC20361	Landing Gear Plate set (腳架固定板)	1

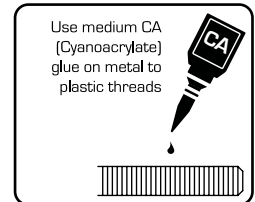
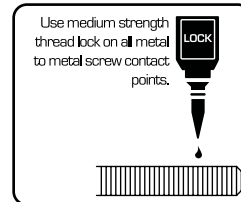
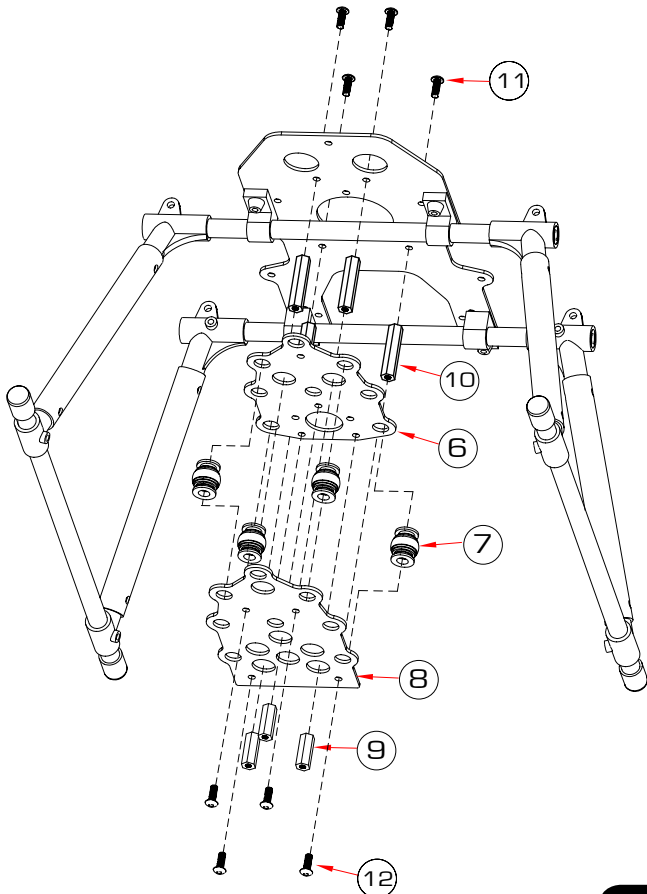
Mounting to DJI Phantom



or



Damper Set Assembly (Optional)



No.	Part #	Description	Qty
1	CNMR3X6BHCS	M3x6 Button Head Cap Screw	2
2	CNM3x30BHCS	M3x30 Button Head Cap Screw	2
3	HWC20361	3x5x24.8mm Sets Of Aluminum	2
4	HWC20361	M3x14 Set Cap Screw	2
5	HWC20361	L15mm Hex Nylon Column	2
6	HWC2032	Upper Damper Plate	1
7	HWC20321	Dampers	6
8	HWC2032	Lower Damper Plate	1
9	HWC2032	L15mm Hex Nylon Column	3
10	HWC2032	L25mm Hex Nylon Column	4
11	CNM3x6FHCS	M3x6 Flush Head Cap Screw	4
12	CNM3x6BHCS	M3x6 Button Head Cap Screw	14