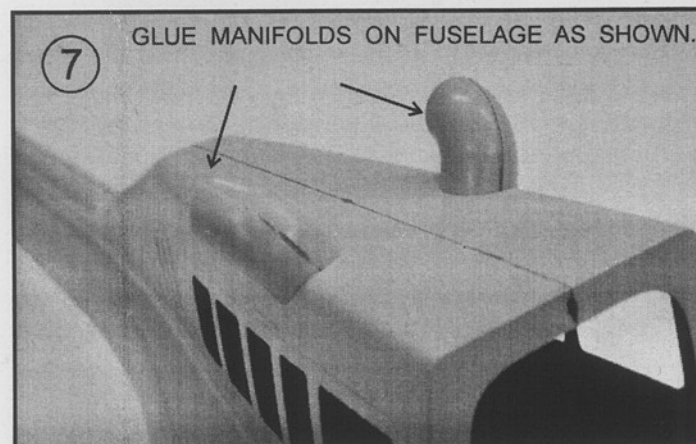
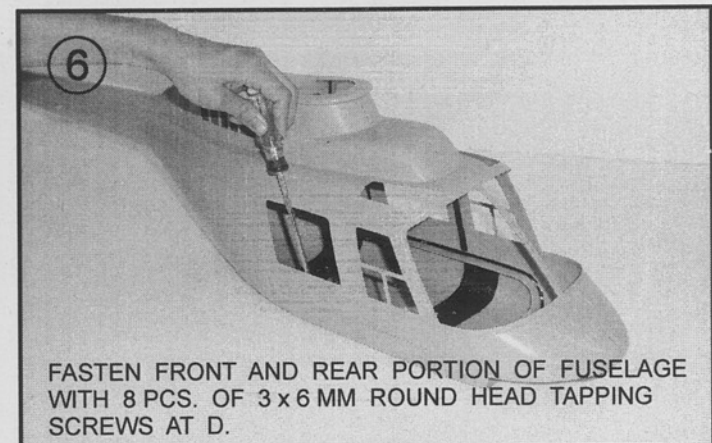
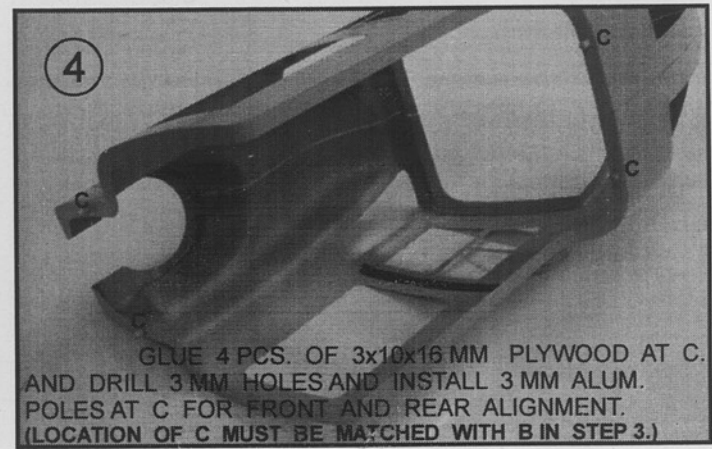
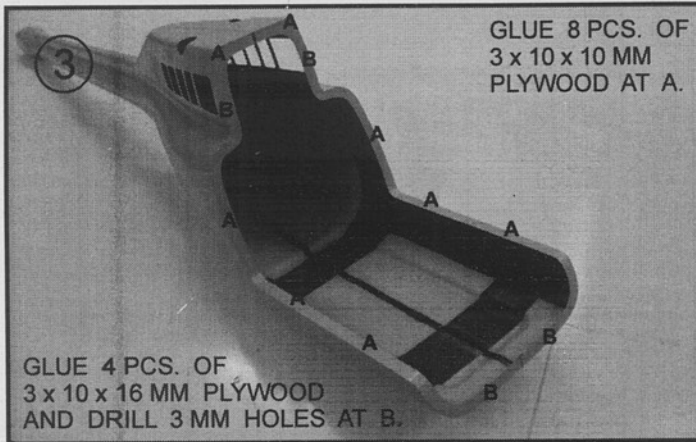
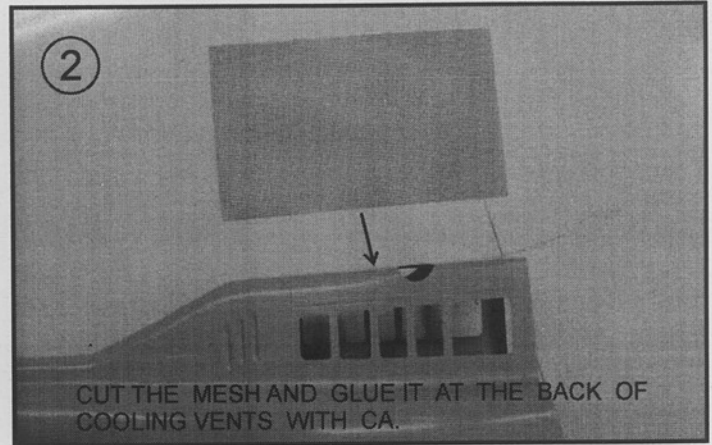
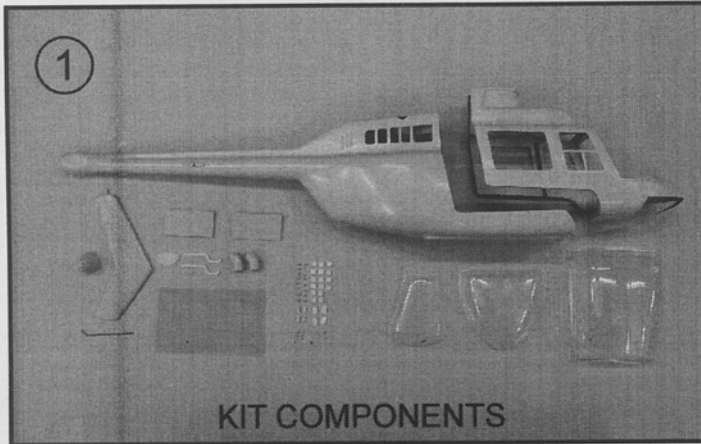


# JET RANGER

## INSTALLATION MANUAL

**ENGINE SIZE:60**

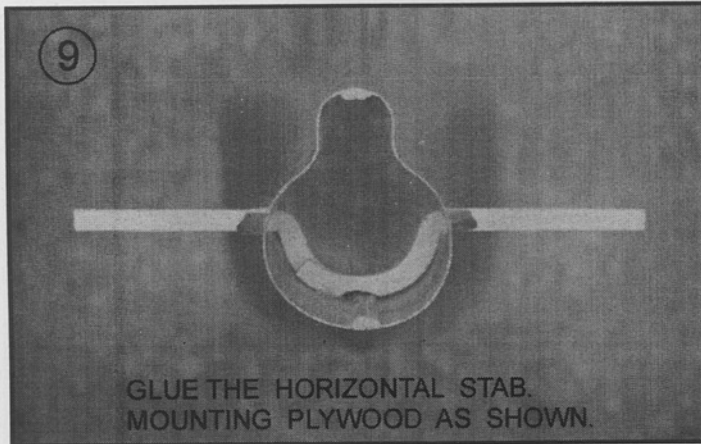
**NOTICE:** USE EPOXY UNLESS STATED.  
SAND INSIDE FUSELAGE WITH #180 SANDING PAPER BEFORE PARTS GLUING IN PLACE.



# JET RANGER

## INSTALLATION MANUAL

ENGINE SIZE:60



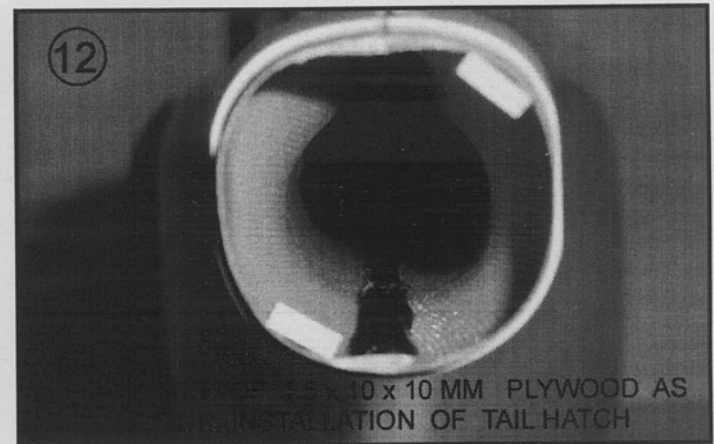
9  
GLUE THE HORIZONTAL STAB.  
MOUNTING PLYWOOD AS SHOWN.



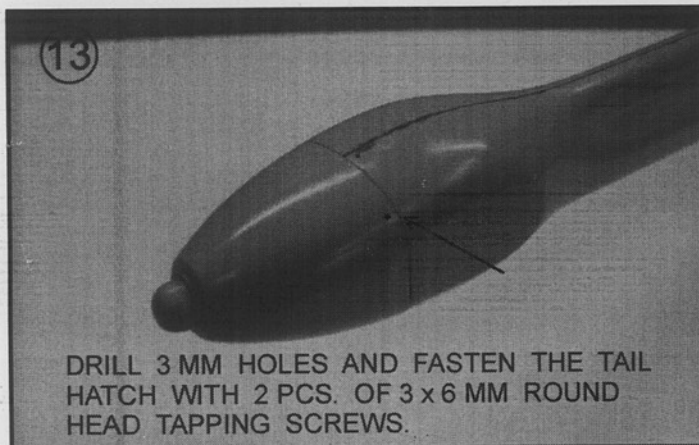
10  
GLUE HORIZONTAL STAB.  
TO EACH SIDE OF FUSELAGE.



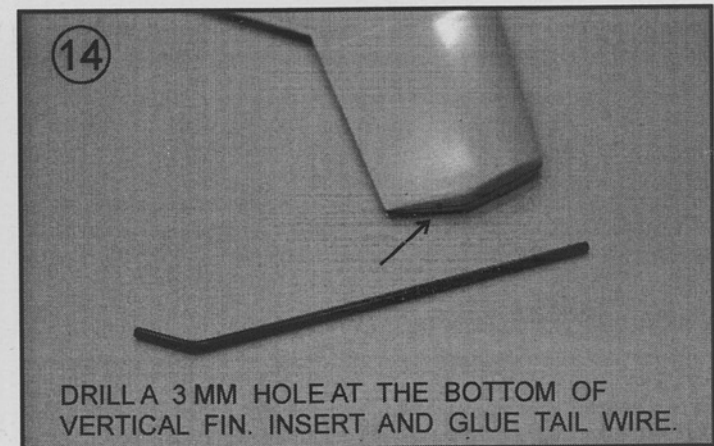
11  
GLUE THE VERTICAL FIN MOUNTING PLYWOOD  
ON THE APPROPRIATE SIDE AT TAIL.  
(THE FIN CAN BE MOUNTED AT EITHER  
LEFT OR RIGHT SIDE OF THE  
MECHANISM.)



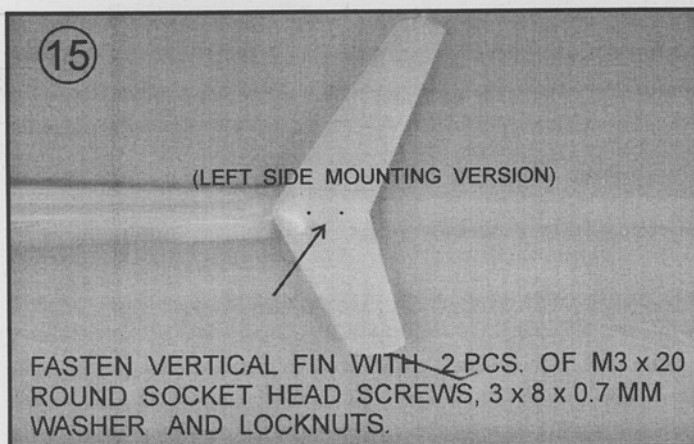
12  
GLUE 25 x 10 x 10 MM PLYWOOD AS  
SHOWN FOR INSTALLATION OF TAIL HATCH



13  
DRILL 3 MM HOLES AND FASTEN THE TAIL  
HATCH WITH 2 PCS. OF 3 x 6 MM ROUND  
HEAD TAPPING SCREWS.

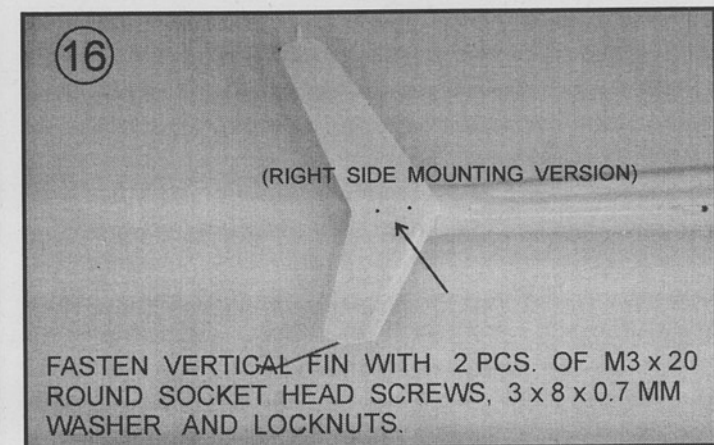


14  
DRILL A 3 MM HOLE AT THE BOTTOM OF  
VERTICAL FIN. INSERT AND GLUE TAIL WIRE.



(LEFT SIDE MOUNTING VERSION)

15  
FASTEN VERTICAL FIN WITH 2 PCS. OF M3 x 20  
ROUND SOCKET HEAD SCREWS, 3 x 8 x 0.7 MM  
WASHER AND LOCKNUTS.



(RIGHT SIDE MOUNTING VERSION)

16  
FASTEN VERTICAL FIN WITH 2 PCS. OF M3 x 20  
ROUND SOCKET HEAD SCREWS, 3 x 8 x 0.7 MM  
WASHER AND LOCKNUTS.