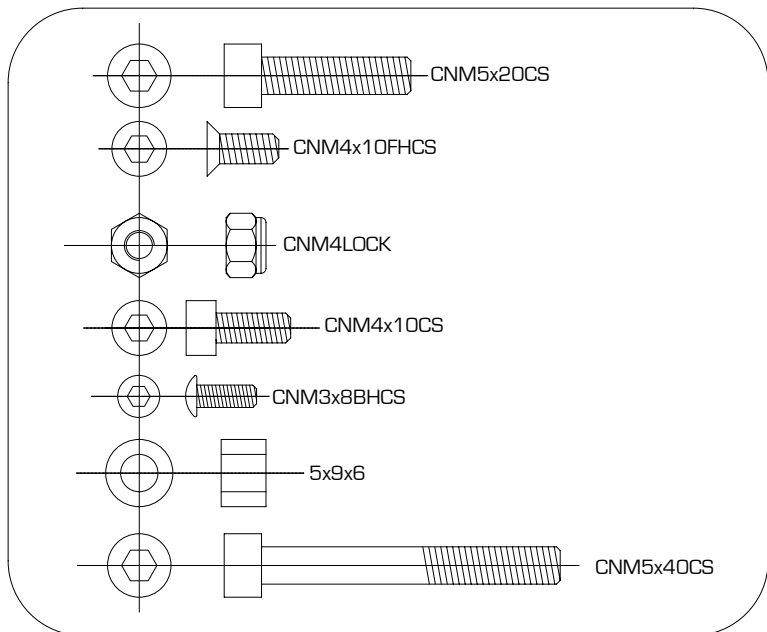
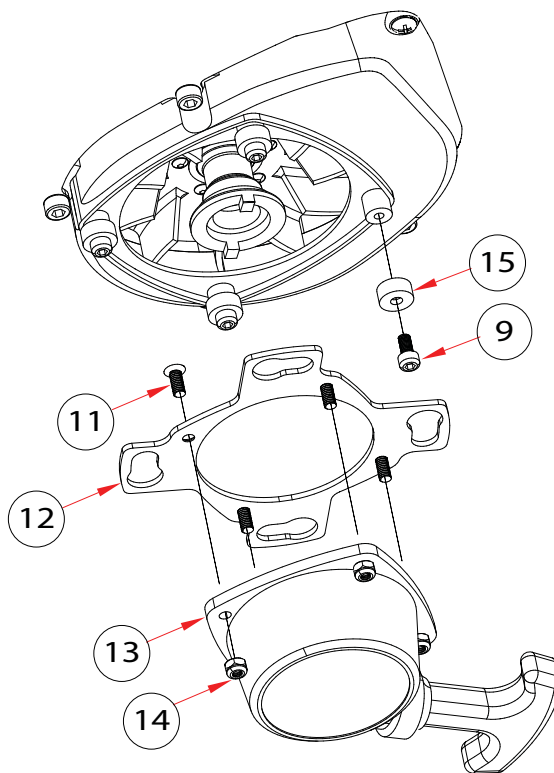
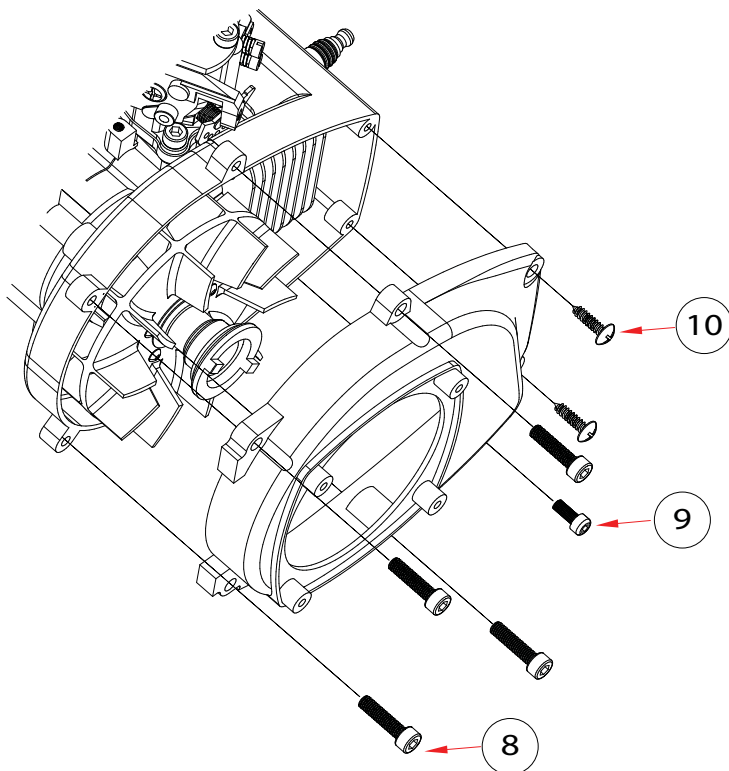
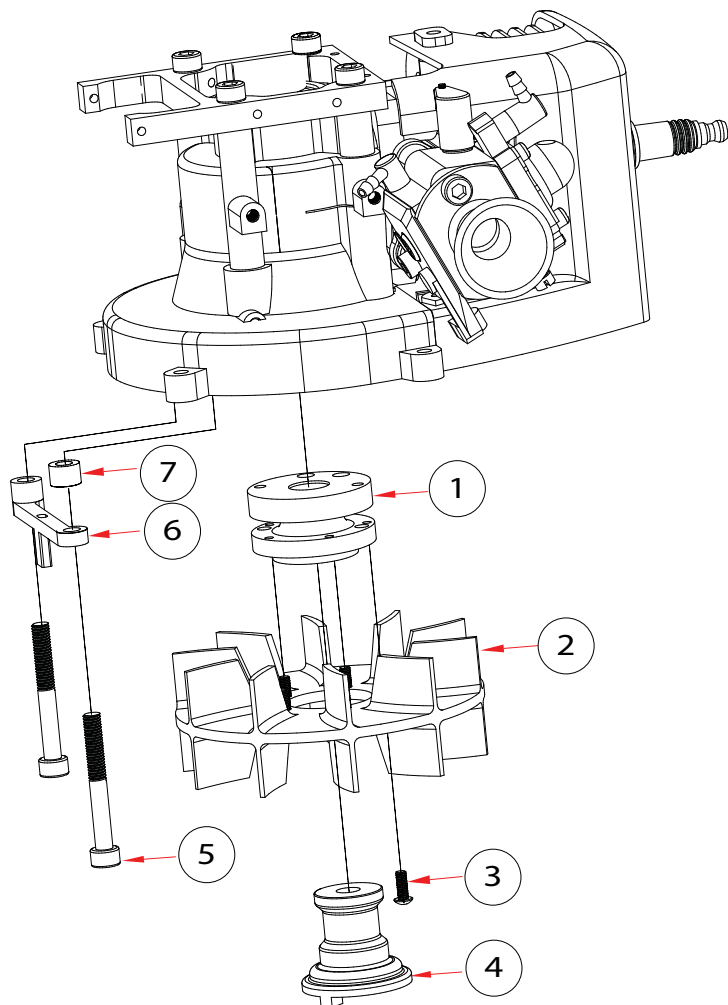


HWC G29RC-EI Engine



No.	Part #	Description	Qty
1	HWC2101	Ignition Trigger/Disc	1
2	HWC2102	Turbo Cooling Fan	1
3	CNM3x8BHCS	M3x8 Button Head Cap Screws	6
4		Pull Start Aluminum Adapter and Nut	1
5	CNM5x40CS	Cap Screw M5x40	2
6	HWC2100	Ignition Pick-Up	1
7	HWC2100	Aluminum Spacers 5x9x6 [2]	2
8		M5x20 Cap Screws	4
9	CNM4x10CS	M4x10 Cap Screws	5
10		M3x14 Self Tapping Screws	2
11	CNM4x10FHCS	M4x10 Flush Head CapScrews	4
12	HWC2103	Pull Start Mount Plate	1
13	CN2354	Pull Start Unit	1
14	CNM4LOCK	M4 Lock-nut	4
15	HWC2103	3x5.8x5.5 Aluminum Spacers [4]	4