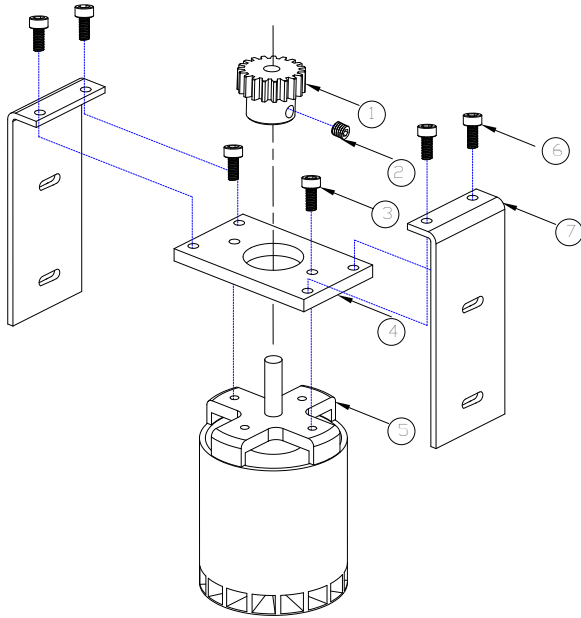
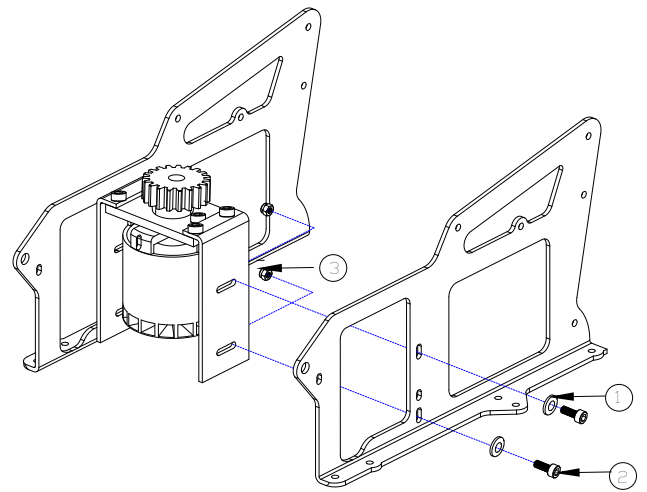


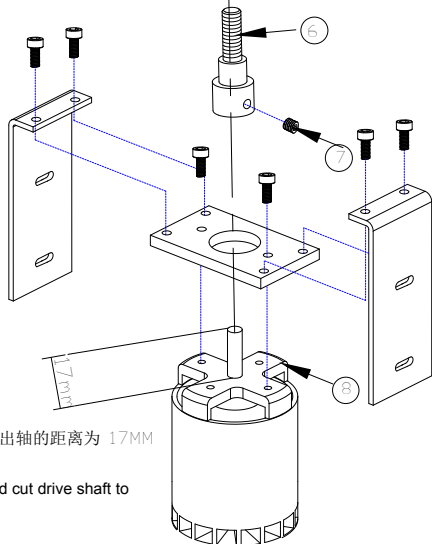
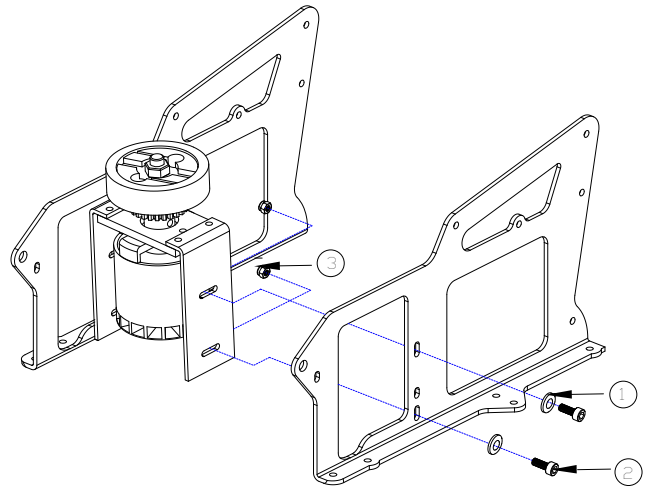
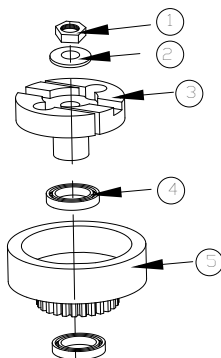
CN1000EC Hawk, Raven & 50Nx Electric Conversion



No.	Part #	Description	Qty
1	CNMG519	19T Gear aluminum (19T 齿轮)	1
2	CNM4X4SS	Set Screws(无头螺丝)M4x4	1
3	CNM3X10CS	Cap Screw(杯头内六角螺丝)M3x10	2
4	CN1000EC-1	Motor Base Plate(马达座板)	1
5	CNE277	Motor(马达)	1
6	CNM3X8CS	Cap Screw(杯头内六角螺丝)M3x8	4
7	CN1000EC-2	Fixed Plate(固定板)	2



No.	Part #	Description	Qty
1	CNM3X10FT	Washer(平面垫片)M3x10	4
2	CNM3X10SS	Cap Screw(杯头内六角螺丝)M3x10	4
3	CNM3LOCK	Lock-nut(螺母)	4



电机输出轴的距离为 17MM

Will need cut drive shaft to 17mm.

No.	Part #	Description	Qty
1		Engine Lock-Nut (无头螺丝)1/4-28T	1
2	HI3009A	Washer(平面垫片)	1
3	HW3011	Clutch Shoes(离合器)	1
4	CNBB1218	Bearing(轴承)	2
5	HI3010A	Machined Clutch Bell&Linng(离合器罩)	1
6	CN1000EC-3	Extension Shaft(转接轴)	1
7	CNM4X4SS	Set Screws(无头螺丝)M4x4	1
8	CNE275/276	800 KV Motor 6s (CNE276 650KV for 8s) 马达	1

Century Helicopter Products
1740 C Junction Ave.
San Jose, CA 95112
www.centuryheli.com